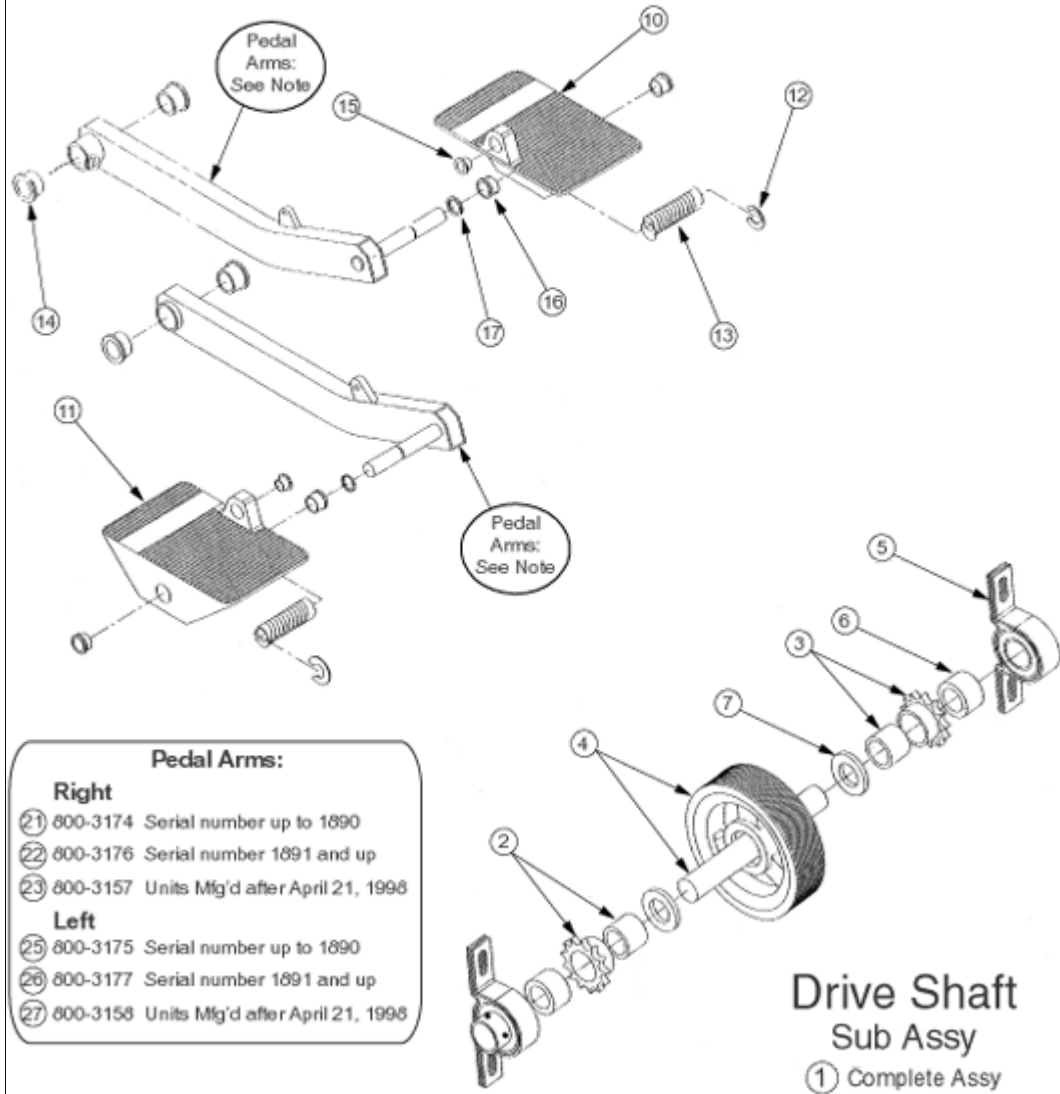




Star Stepper Series

Clutch & Pedal Assy's



- Pedal Arms:**
- Right**
- ②1 800-3174 Serial number up to 1890
 - ②2 800-3176 Serial number 1891 and up
 - ②3 800-3157 Units Mfg'd after April 21, 1998
- Left**
- ②5 800-3175 Serial number up to 1890
 - ②6 800-3177 Serial number 1891 and up
 - ②7 800-3158 Units Mfg'd after April 21, 1998

Drive Shaft Sub Assy
 ① Complete Assy

Product ID: 10 • Diagram ID: 53

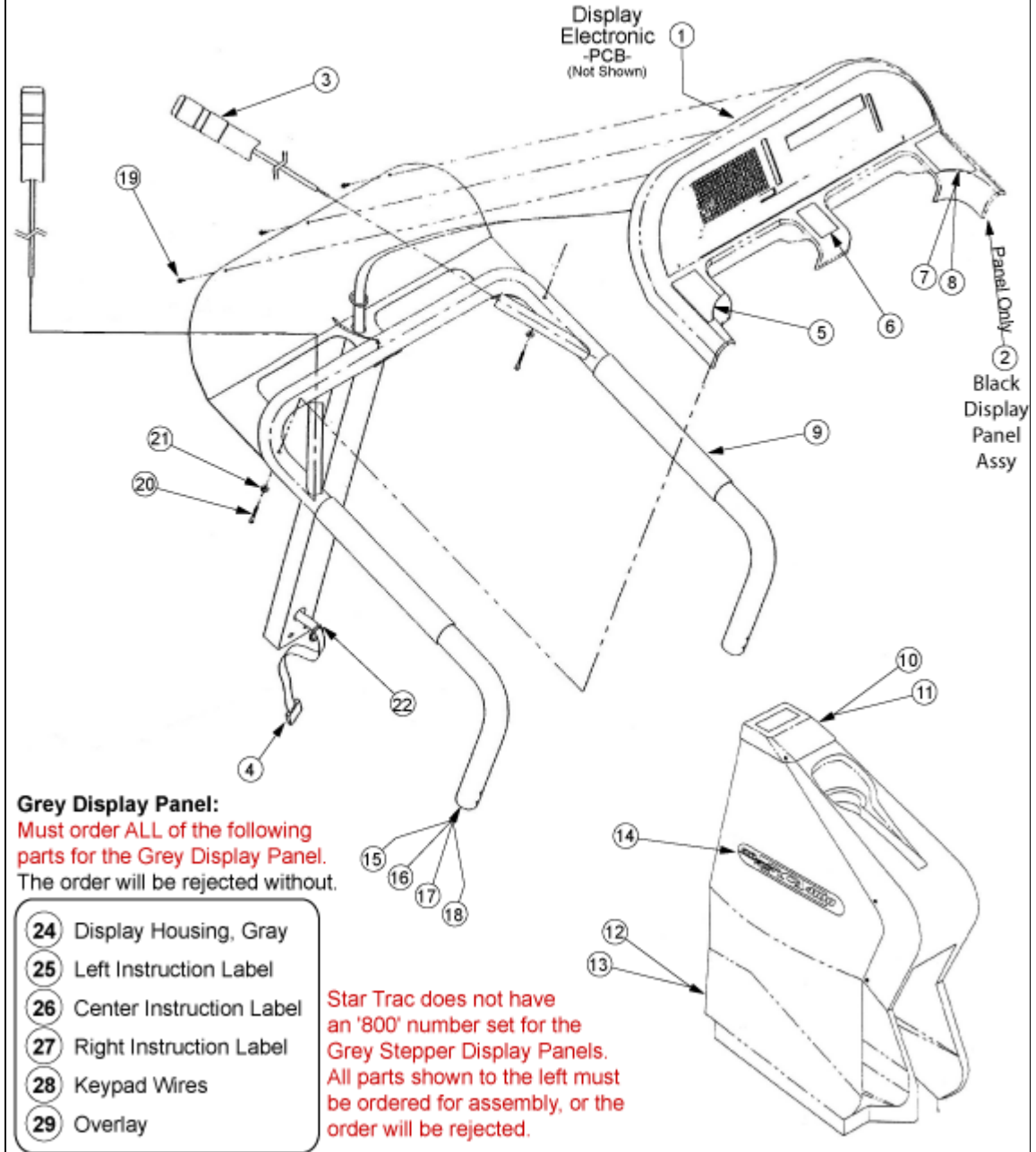
Clutch & Pedal Assy's

Callout	Part Number:	Description
1	800-3114	Drive Shaft Assy
2	800-0299	Clutch Sprocket, Lt
3	800-0300	Clutch Sprocket, Rt
4	800-0292	Pulley, Main Drive Assy
5	130-0401	Bearing, Pillow Block (ecc) 1"
6	020-0019	Spacer, Main Drive .91" Lg
7	020-0018	Spacer, Main Drive .20" Thk
10	800-3191	Foot Pedal, w/Bshg, Rt, Sc
11	800-3192	Foot Pedal, w/Bshg, Lt, Sc
12	140-0940	E-clip 3/4"
13	140-1005	Spring Compression # 71
14	130-1437	Bushing, 1.0id x1.25od x3/4"
15	130-1439	Bushing, Flanged .50id x.62od
16	130-1560	Bushing, 3/4x1.0"od Flanged
17	120-3015	Washer, 3/4x .032" Flat
21	800-3174	Pedal Arm, (up to sn 1890), Rt
22	800-3176	Pedal Arm, (sn 1891 & up), Rt
23	800-3157	Pedal Arm, w/Bushing, Rt
25	800-3175	Pedal Arm, (up to sn 1890), Lt
26	800-3177	Pedal Arm, (sn 1891 & up), Lt
27	800-3158	Pedal Arm, w/Bushing, Lt



Star Stepper Series

Handrail & Display Assy's



Product ID: 10 • Diagram ID: 54

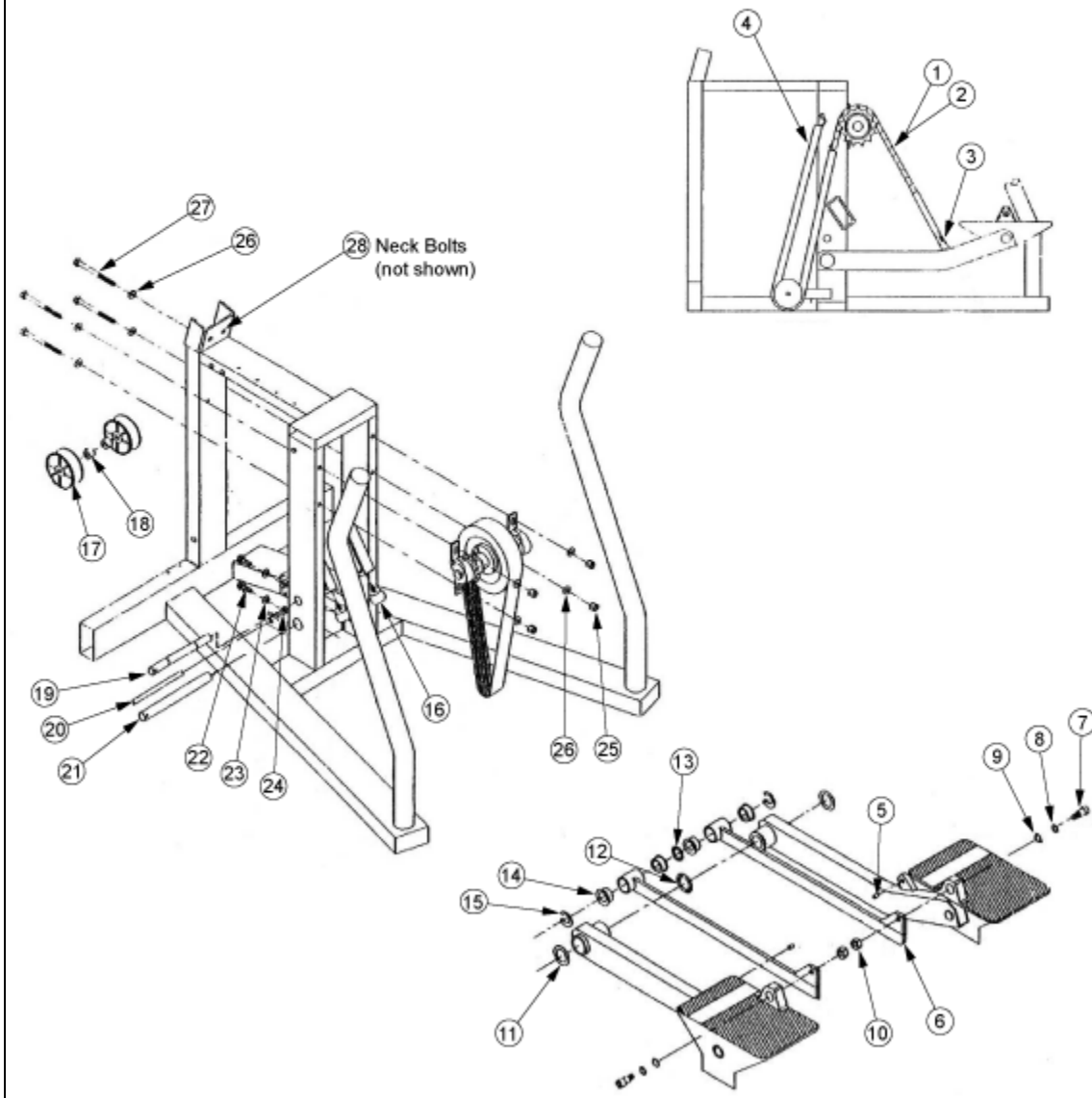
Display & Handrail Assy's

Callout	Part Number:	Description
1	711-0058	Disp Elec, Pcb, Graph
2	800-3195	Disp Panel, 3100/4100 Red Grph
3	800-3878	Hr Grip Assy, w/Wire, one side
4	800-3117	Disp Cable (Data), Upper, Main
5	050-0610	Label, Instr, Lt
6	050-0611	Label, Instr
7	050-0612	*OBSOLETE*
8	050-0613	Label, Instr, Hr, Rt
9	800-3115	Grip, Hrail, Rubber
10	800-3223	Shroud, Neck
11	800-3253	Shroud, Neck, gry
12	800-3105	Shroud
13	800-3256	Shroud, gry
14	050-1875	Label, Logo, ST, Shroud, Stepper
15	800-3917	Frame Assy
16	800-3918	Frame Assy, Top, Graph, c-Hr
17	711-0009	Frame Assy, Top, no-Hr, gry
18	800-3919	*OBSOLETE*
19	110-0380	Screw, 10-32x3/8"
20	110-0383	Screw, 10-32x1.75" Bhss, long
21	120-0341	Washer, #10 Flat Sae
22	140-0065	Grommet
24	711-1100	Disp Assy, no-Hr
25	711-1110	Disp Assy, no-Hr, gry
26	711-1120	Disp Assy, c/p-Hr
27	711-1130	Disp Assy, c/p-Hr, gry
28	711-1140	Disp Assy, p-Hr
29	711-1150	Disp Assy, p-Hr
30	711-1160	Disp Assy, c/p-Hr
31	711-1170	Disp Assy, c/p-Hr



Star Stepper Series

Drive Assy



Page 3

Product ID: 10 • Diagram ID: 52

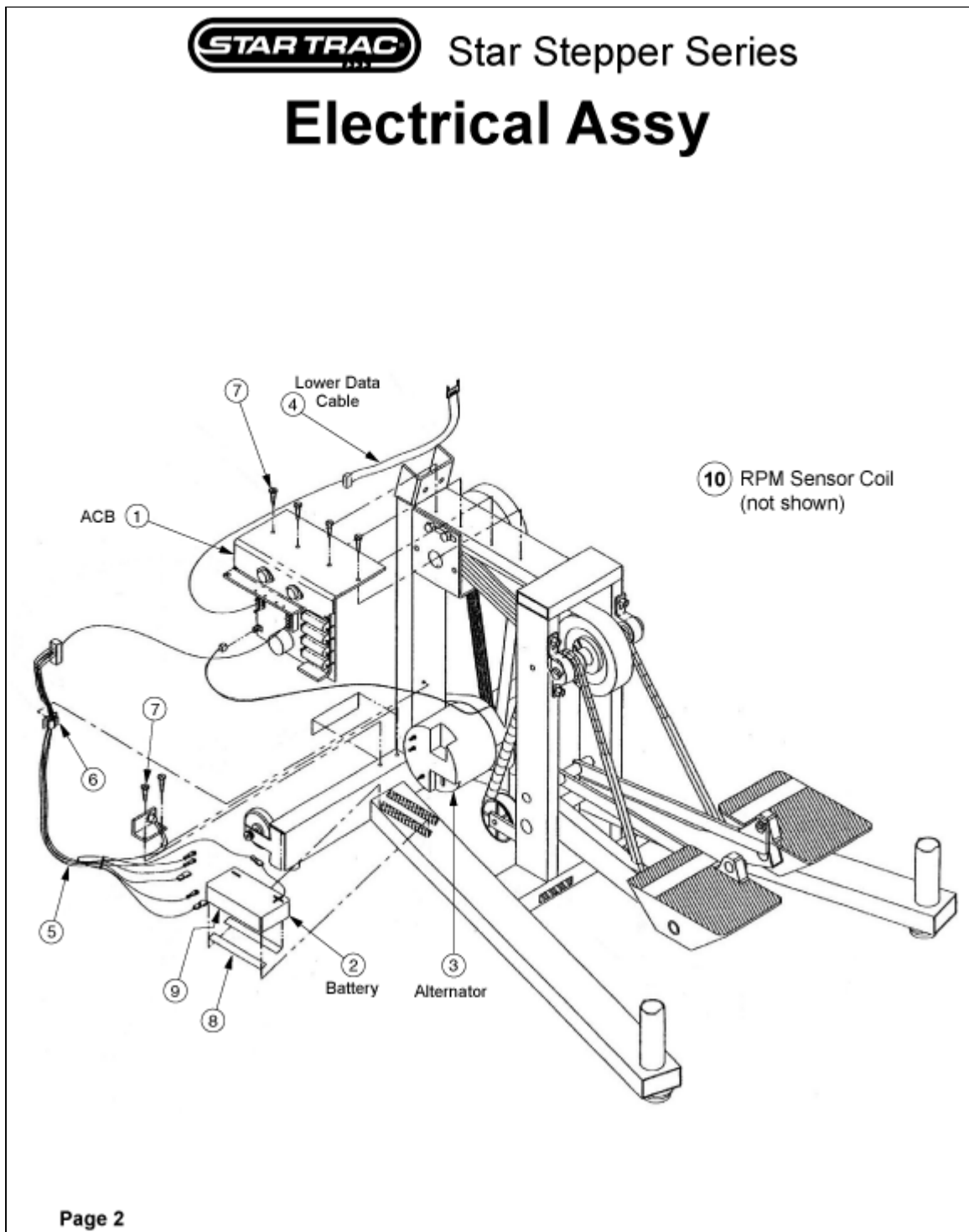
Drive Assy

Callout	Part Number:	Description
	110-0611	Screw, 3/8-16x2.0" Shcs
1	800-3108	Chain, w/Mstr Link
2	800-3159	Chain Assy, Big Link, >4-28-98
3	800-3149	Master Link, Steppers
4	800-3109	Spring, Chain Return, universal
5	800-3031	Bearing Sleeve, Chain
6	711-3168	Parallel Arm, Stepper
7	110-0711	Bolt, 1/2x1/2" Sh
8	120-0493	Washer, 1/2x3/4" Flat
9	120-3010	Spacer, 8-32x3/8" Plastic
10	110-3059	Nut, 3/8-16 Centerlock
11	120-0411	Washer, 1.0"
12	120-0510	Washer, 1.0"
13	120-0505	Washer, 3/4" id
14	130-1560	Bushing, 3/4x1.0" od Flanged
15	140-0940	E-clip 3/4"
16	140-0358	Bumper, Conical, Arm Rtrn Stop
17	130-1580	Pulley, Idler Spring, Ss
18	130-0321	Collar Shaft, 3/8" id w/Set Screw
19	020-2116	Shaft, Parallel Arm 3/4"
20	800-3893	Shaft Kit, .375"x5.5"
21	020-2120	Shaft, Main, Lower Arm 1"x7.5"
22	110-0603	Screw, 5/16-8x1.5"
23	120-0496	Washer, 5/16" Lock
24	120-0480	Washer, 5/16" Cut
25	110-1830	Nut, 3/8-16 Hex, nyloc
26	120-0463	Washer, 3/8x1.0" Flat
27	110-0601	Screw, 3/8-16x4.0" Hhcs



Star Stepper Series

Electrical Assy



Page 2

Product ID: 10 • Diagram ID: 51

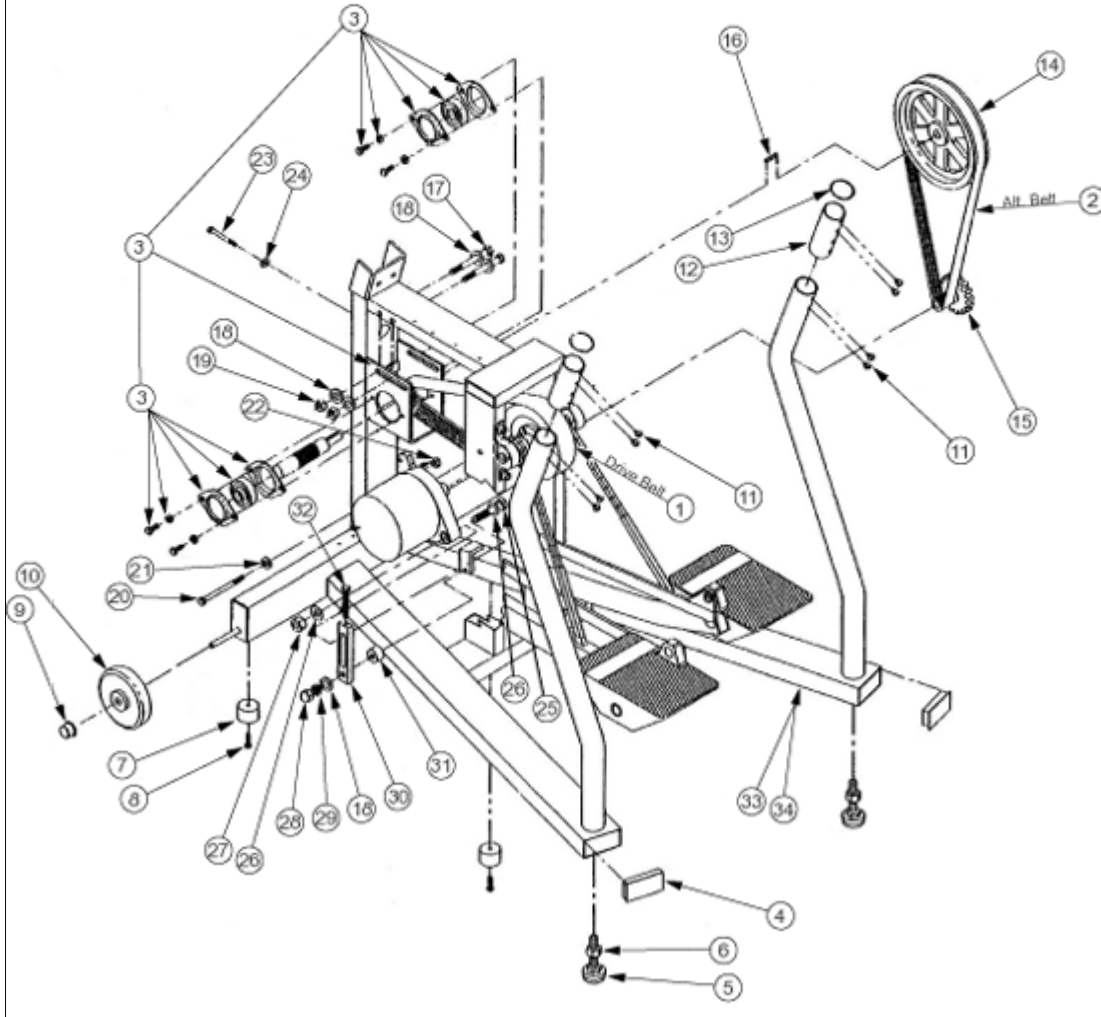
Electrical Assy

Callout	Part Number:	Description
	800-3104	Rpm Sensor, Coil w/Cable
1	800-3150	Acb, Ub/Rb/Sc
2	800-3102	Battery, 6v, Ub/Rb/Sc
3	800-3122	Alt, Mando, Raw
4	800-3106	Disp Cable (Data), Lower, Extn
5	800-3155	Cable Assy, Acb-Alt/Batt
6	140-0412	Cable Clamp, Push Mount
7	110-3026	Screw, 10-24x3/4" Phtcs
8	140-0490	Velcro Tape Hooks (12" strip)
9	140-0492	Velcro Tape Loops (12" strip)



Star Stepper Series

Frame Assy



Product ID: 10 • Diagram ID: 50

Frame Assy

Callout	Part Number:	Description
1	130-0122	Belt, Drive, 370J16, Poly-V
2	800-3121	Belt, 450J7, Poly-V
3	800-3140	Brkt, Adj Assy
4	140-0356	Endcap 1.5"x3", ProBike/Step
5	140-0039	Foot, Adj/Level, 1/2"x3.0"
6	110-1823	Nut, 1/2-13x5/16" Jam
7	140-0357	Rubber Bumper/Foot frame/track
8	110-3119	Screw, 1/4-20x3/4" Bhcs,loctite
9	110-1415	Axle Push Cap, 1/2"
10	130-1280	Wheel, 3x1x1/2" bore
11	110-0506	Screw, 1/4-28x3/8" Bhss
12	710-0521	Insert, Hrail
13	140-3116	*OBSOLETE*
14	020-0681	Flywheel, 8" x 5/8" id
15	130-1302	Pulley, Alt Drive, Ss
16	110-1442	Keyway, 3/16x1.5" Steppers
17	110-0601	Screw, 3/8-16x4.0" Hhcs
18	120-0463	Washer, 3/8x1.0" Flat
19	110-1830	Nut, 3/8-16 Hex, nyloc
20	110-0652	Bolt, 5/16-18x4.0" Hhcs
21	120-0480	Washer, 5/16" Cut
22	110-1871	Nut, 5/16-18
23	110-0501	Screw, 1/4-20x3.25" Hhcs
24	120-0410	Washer, 1/4" Flat
25	110-0610	Bolt, 1/2-13x2.5" Hhcs
26	120-0462	Washer, 1/2" Flat
27	110-1833	Nut, 1/2-13 Hex, nyloc
28	110-0609	Bolt, 3/8-16x1.75" Hhcs
29	120-0470	Washer, 3/8" Lock
30	020-0021	Brkt, Adj, Alt
31	800-3892	Spacer, Alt Mount
32	110-0686	Bolt, 5/16-18x2.0" Hhcs all Thd
33	710-0711	Frame, Lower, Painted
34	710-1026	Frame, Lower, Painted, gry